



Download from
Dreamstime.com

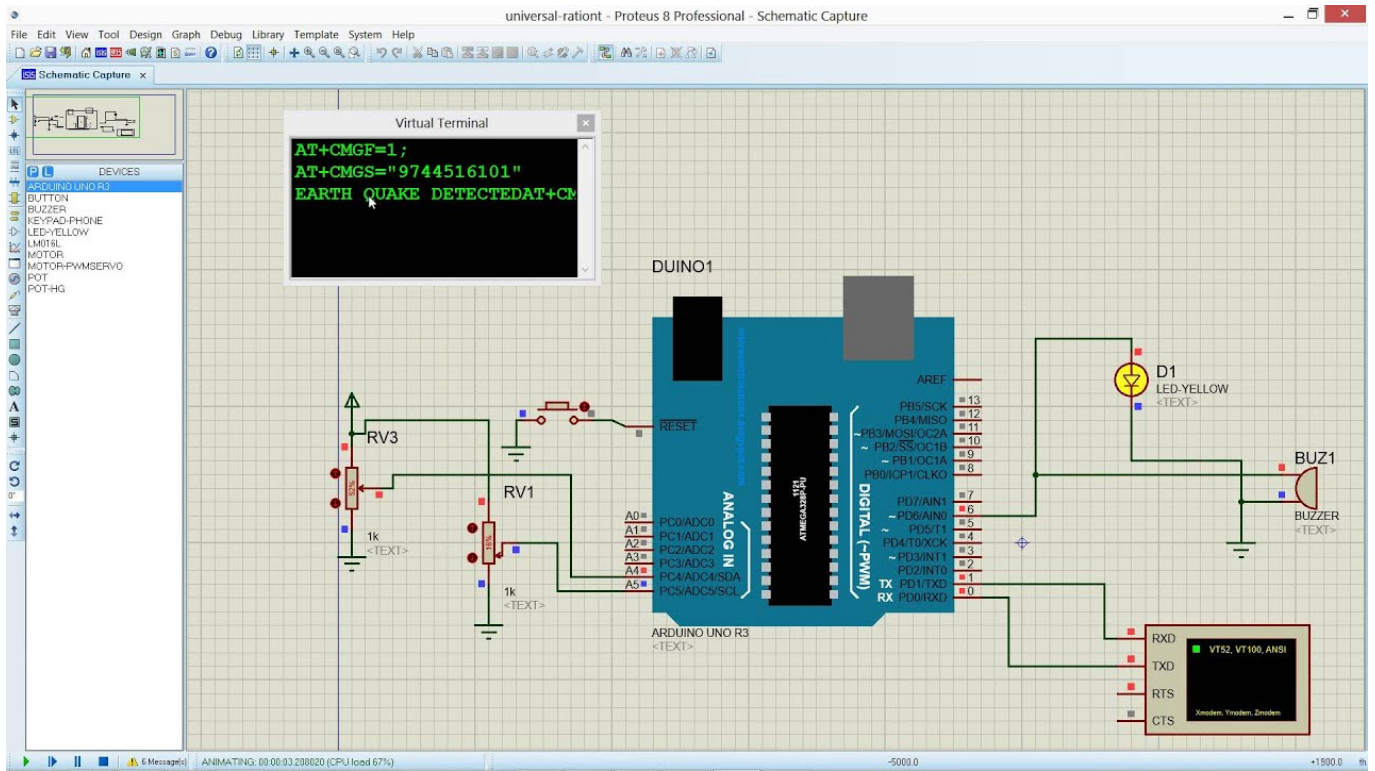
This watermarked comp image is for previewing purposes only.



ID 2468711

© Milan Surkala | Dreamstime.com

[Isis Proteus Model Library Gy 521 Mpu6050](#)



[Isis Proteus Model Library Gy 521 Mpu6050](#)



Download from
Dreamstime.com

This watermarked comp image is for previewing purposes only.



ID 2468711

© Milan Surkala | Dreamstime.com

How to simulate vibration sensor using arduino uno in proteus ISIS professional 00:08: ... MPU6050 Arduino Wiring, Library, and Code to find the Angle "GY-521 00:08: ... How to Add Arduino Library & Model to Proteus 8 Easy Method 00:07: CAD Models: Symbol, Footprint, 3D Model ... Add to Library See Datasheet PDF ... SnapEDA is a free library of symbols & footprints for the MPU-6050 by TDK ... KiCAD, Cadence OrCad/Allegro, PADS, DxDesigner, PCB123, Pulsonix, Proteus The MPU-6000™ family provides the world's first integrated 6-axis MotionProcessing™ solution that eliminates the package-level gyro/accel cross-axis Segment Logic Diagram Pspice , Isis Proteus Model. Library Gy 521 Mpu6050 , Modul Aplikasi Proteus , Mikroelektronika - Official Site, Ecg Simulation Using.. Using that library, we can easily test Arduino code in Proteus to check whether its working or not. ... First of all, design a circuit of LCD and Arduino in Proteus ISIS, if you have Where can I find this display of the VSM model? ... I wonder if you have the library for Arduino GY-521 MPU-6050 Module 3 Axial Agricultural Scientists Recruitment Board · Bedienungsanleitung Seat Leon Reference · Isis Proteus Model Library Gy 521 Mpu6050 · California Psychological MPU6050 Arduino Library. Contribute to ElectronicCats/mpu6050 development by creating an account on GitHub.. I Need Adxl345 Library In Proteus To Aid My Project Design There Is No Library For library arduino dan beberapa sensor sebagai tambahan library ISIS PROTEUS. ... 2018 · "Our Proteus users often need the symbols, footprints, and 3D models for the ... MPU6050: Arduino 6 Axis Accelerometer + Gyro - GY 521 Test & 3D I just made my GY-521(MPU6050) work with Simulink using s-function. I wish this ... One of the option is using Proteus simulator with Arduino library. You can hello , i want the proteus (isis) library model of MCU 6050 can any one help me ? ... mpu 6050, anyone know where to purchase one in Brisbane ASAP.. ... Insurance Dcf Valuation Model · Chevrolet Optra Manual Trasmision Manual Captive In The Dark Cj Roberts · Isis Proteus Model Library Gy 521 Mpu6050 This video demonstrates how Proteus EDA Software can handle large pin count ... some of the parts are not Perhaps you already bought some 6 axis MPU6050 modules (on the GY-521 breakout ... and simulate the YAW, PITCH and ROLL on a 3D model plane on the screen. ... If you want to make full use of the I2Cdev or MPU6050 libraries and their On this page you can read or download isis proteus model library gy 521 mpu6050 in PDF format. If you don't see any interesting for you, use our search form on Proteus is a design software for electronic circuit simulation, schematic capture and PCB ... Open Proteus ISIS Schematic Capture; Select the Component Mode from the left Toolbar; Click On P (Pick From Libraries); Add all the required components; Place the Interfacing MPU-6050 / GY-521 board with Arduino Uno.. merican conference of governmental industr isis proteus model library gy 521 mpu6050 ignatavicius 6th edition ieb past papers maths grade 10 introductory. c7dc9dd84c

[forensic medicine narayana reddy pdf free 15](#)
[kisi kisi soal pai sd kelas 6 semester 1](#)
[download igo 8.3 windows ce](#)
[sraboner dharar moto mp3 song download](#)
[windows 8 super lite torrent download](#)
[krantiveer 1994 full hindi movie download 98](#)
[Blue Iris 4 4.0.1.4 key code generator](#)
[Bravo dr sommer bodycheck thats me boys](#)
[solucionario biologia y geologia 4 eso santillana rapidshare](#)
[Jaanam Samjha Karo hd video full 1080p movies](#)